

Refrigerated Self-Service Case 24"D



MODEL SHOWN: B32

- |                              |                            |
|------------------------------|----------------------------|
| <input type="checkbox"/> B32 | 34-1/2"L x 24"D x 82-1/4"H |
| <input type="checkbox"/> B42 | 45-1/2"L x 24"D x 82-1/4"H |
| <input type="checkbox"/> B62 | 66-3/8"L x 24"D x 82-1/4"H |
| <input type="checkbox"/> B82 | 88-3/8"L x 24"D x 82-1/4"H |

Lengths include end panels

**STANDARD FEATURES**

- Breeze™ w/EnergyWise s/c refrigeration (B82 remote ref only)
- Compressor air lower front intake and upper front discharge.  
Front panel cannot be blocked
- Condensate pan (self-contained refrig. only)
- Integrated average product temperature of 40°F or less
- One year parts & labor; 5 year compressor warranty
- Removable deck pans provide complete access to evaporator coil & refrigeration connections
- Shelving removable and adjustable on 1" centers
- Solid back panel, black
- T-8 top light

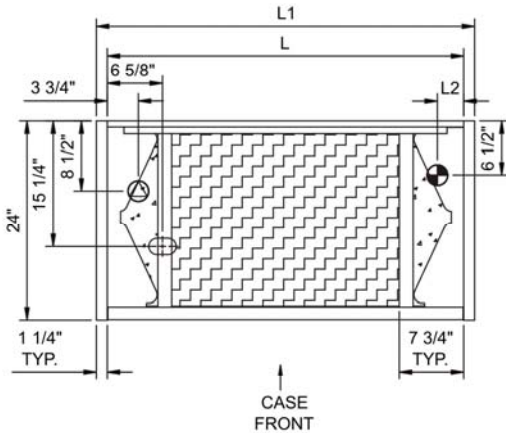
Features	Standard	Options
<b>EXTERIOR COLOR</b>	<input type="checkbox"/> Laminated (non-premium) Confirm pattern/grain direction	<input type="checkbox"/> Laminated (premium) Confirm pattern/grain direction <input type="checkbox"/> Stainless steel (includes lower front panel)
<b>INTERIOR COLOR</b>	<input type="checkbox"/> Black	<input type="checkbox"/> Stainless steel
<b>LWR LOUVERED FRNT PANEL COLOR</b>	<input type="checkbox"/> Painted - Black	<input type="checkbox"/> Stainless steel (w/stainless ext. only)
<b>BASE</b>	<input type="checkbox"/> Casters (n/a with remote)	<input type="checkbox"/> Levelers <input type="checkbox"/> Seismic levelers (Q4695)
<b>END PANELS</b>	<input type="checkbox"/> Full end panel w/mirror interior (metal edge matches interior color)	<input type="checkbox"/> Cutaway ends with vinyl edging (vinyl matches interior color)
<b>HEADER STYLE</b>	<input type="checkbox"/> Flat	<input type="checkbox"/> Curved header
<b>UPPER FRONT PANEL</b>	<input type="checkbox"/> Flat front panel	<input type="checkbox"/> Black slatwall (flat front only) <input type="checkbox"/> Curved front panel
<b>SHELVING</b>	<input type="checkbox"/> Metal shelves, non-lighted	<input type="checkbox"/> Metal shelves, lighted (LED) <input type="checkbox"/> Metal shelves, lighted (T-8)
<b>ELECTRICAL CONNECT</b>	<input type="checkbox"/> 6' power cord (base exit)	<input type="checkbox"/> 6' power cord (top exit)
<b>REFRIGERATION</b>	<input type="checkbox"/> Breeze™ w/EnergyWise s/c refrigeration (B82 remote ref only)	<input type="checkbox"/> 1Breeze™ w/ EnergyWise s/c refrigeration (w/ floor drain) <input type="checkbox"/> Note: Remote doesn't incl Conds unit. Floor drain reqd. <input type="checkbox"/> Remote w/thermostat, solenoid & TXV
<b>MISCELLANEOUS</b>		<input type="checkbox"/> Second year parts & labor warranty (excludes compressor)
<b>ACCESSORIES</b>		<input type="checkbox"/> Clean Sweep® coil cleaner (n/a w/remote) <input type="checkbox"/> Night curtain, retractable, non-locking <input type="checkbox"/> Solid security cover, removable, locking

Option Notes: 1 - Contact Factory for B82 S/C Information

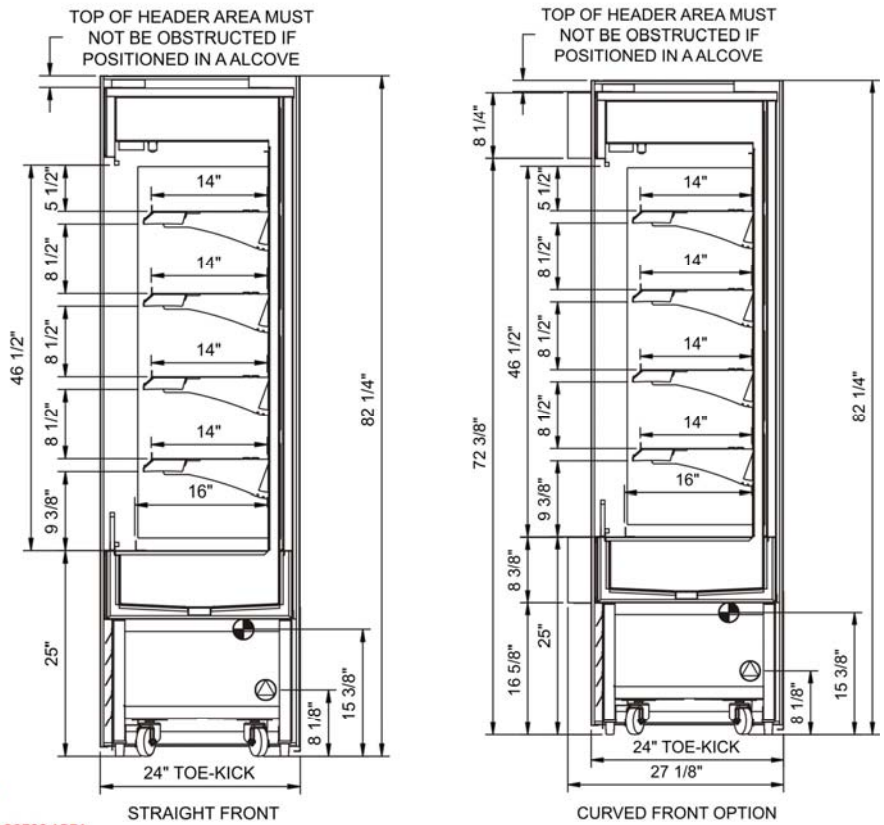
## Product Specifications

<b>Intended Environment:</b> Type I - Designed to operate in ambient conditions of 75°F with 55% relative humidity unless noted otherwise in system information below.	
<b>Zone</b>	<b>Integrated Prod Temp ° F</b>
All	40

PLAN VIEW



SIDE VIEW



**NOTE: ALL DIMENSIONS APPROXIMATE**

- ELECTRICAL JUNCTION BOX (SUPPLIED WITH 6\" LEADS OR POWER CORD).
- REMOTE FLOOR SINK & UTILITIES ACCESS AREA.
- LOCATION OF DRAIN TUBE FOR REMOTE REF. ONLY (SUPPLIED WITH 3/2\" OR 1 1/2\" PVC TUBE).
- SELF-CONTAINED CASE SERVICE ACCESS AREA.
- REFRIGERATION LINE CONNECTION.
- DRY CASE SERVICE ACCESS AREA.

**Model Technical Specifications**

Model	L"	L1"	L2"	System Circuit Volts		Phs	Freq	Amps ***	Watts	Wires	NEMA Plug	SST	BTUH	Ship Wt	Frt CIs	
B32	N/A	34.50	3.13	Remote (Type I)	Circuit #1	110-120	1	60	1.49	142	2+G	Leads Multiple	20	5,900	900	110
				Self-Contained	Circuit #1	110-120	1	60	15.60	1,454	2+G	5-20P or L5-20P	N/A	N/A		
B42	N/A	45.50	3.13	Remote (Type I)	Circuit #1	110-120	1	60	2.13	196	2+G	Leads Multiple	20	6,550	1,000	110
				Self-Contained	Circuit #1	110-120	1	60	16.00	1,634	2+G	5-20P or L5-20P	N/A	N/A		
B62	N/A	66.38	3.13	Remote (Type I)	Circuit #1	110-120	1	60	2.82	293	2+G	Leads Multiple	20	9,500	1,100	110
				Self-Contained	Circuit #1	208-240	1	60	12.00	2,425	2+G	6-20P	N/A	N/A		
B82	N/A	88.38	3.13	Remote (Type I)	Circuit #1	110-120	1	60	3.67	371	2+G	Leads Multiple	20	12,650	1,400	110
				Self-Contained	Circuit #1	110/230V	1	60	15.80	2,981	3+G	14-20P or L14-20P	N/A	N/A		

\*\*\* Does not include electric defrost on freezer models.

Regulatory Approvals:	
All Models	Accordance with AHRI Std 1200 ETL Listed to UL 471 ETL Listed to CAN/CSA 22.2 No. 120 UL Sanitation to NSF Std 7

**Important Notes:**

- 1) ELECTRICAL NOTE: If GFCI is required, a GFCI breaker MUST be used in lieu of a GFCI receptacle
- 2) Performance issues (product temperatures, water on floor, etc.) caused by adverse conditions are not covered by warranty.
- 3) Keep unit at least 15' from exterior doors, overhead HVAC vents, or any air curtain disruption.
- 4) End panels must be tightly joined or kept at least 6" away from any structure to prevent condensation.
- 5) Do not expose unit to direct sunlight or any heat source (ovens, fryers, etc.).
- 6) Tile floors, low ceilings, or small rooms will increase noise level.

